

**Protected Area Side:**  
Fire protection is not required to an accessory positioned on the protected area side.

Where accessories are back to back (possibly at different heights but within the same cavity), the accessory on the side at risk of fire (the room side of the partition) should be fire protected. Where possible back to back accessories should be avoided.

Where a BT accessory is back to back with a single light switch (positioned at different heights within the same cavity), the BT accessory on the side at risk of fire (the room side of the partition) does not require fire protection. No other accessories to be positioned within the same cavity where this occurs. Where possible back to back accessories should be avoided.

**Fire Risk Side:**  
Fire protection is not required to a small accessory which does not share a cavity with another accessory on the fire risk side.

+FP = Plus Fire Protection i.e fire rated back box liner or back box cover.

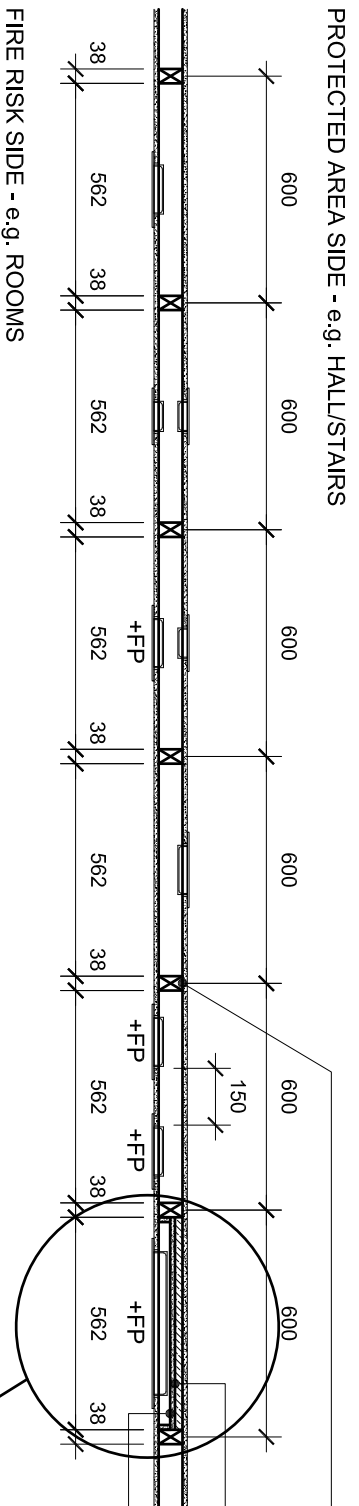
63x38mm CLS Timber Studs @ 600mm c/c's generally or 400mm c/c's for Wet Room partitions.

63x38mm CLS Timber noggins above and below large accessory to support 12.5mm Gyproc Wallboard.

An accessory larger than a double socket when installed on the side at risk of fire should be fire protected regardless of whether it shares a cavity with other accessories. This should also apply to consumer units and to individual accessories located within 150mm of each other within the same cavity on the fire risk side.

## ELEVATION - TYPICAL STUD WALL

SCALE: 1:20



PROTECTED AREA SIDE - e.g. HALLSTAIRS

FIRE RISK SIDE - e.g. ROOMS

## PLAN - TYPICAL STUD WALL

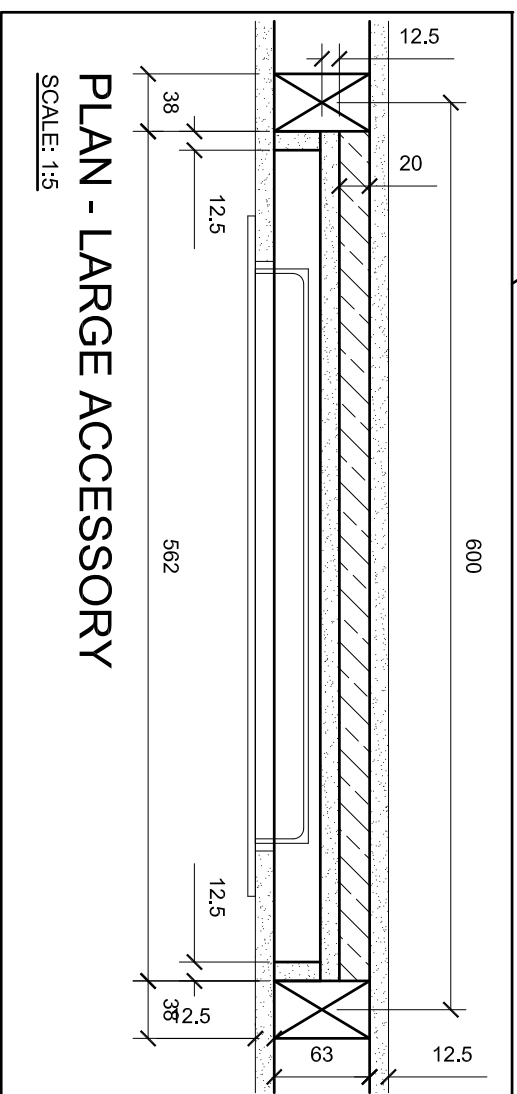
SCALE: 1:20

**NOTE:**

Acceptable fire protection measures (where 30 minutes fire resistance is required) include:

- \* Appropriate fire rated back box liners and cover pads that cover the rear of the back box, or
- \* An additional layer of minimum 12.5mm plasterboard with appropriate edges seals which fully encase the recessed back box of the accessory, or
- \* An alternative fire protection method which is supported by manufacturer's test data.

Refer to NHBC Technical Guidance 8.1/29.



63x38mm CLS Timber Studs @ 600mm c/c's generally or 400mm c/c's for Wet Room partitions.

Timber noggins or metal support rails positioned behind large accessory to support 12.5mm Gyproc Wallboard.

For large Accessory e.g Media Plate, where a fire rated back box is not used, fully enclose back box within stud wall with 12.5mm Gyproc Wallboard (density 8.5kg/m<sup>3</sup>) taped and jointed.

## PLAN - LARGE ACCESSORY

SCALE: 1:5

EXTERNAL REFERENCE :

Brand: **BARRATT / DAVID WILSON HOMES**  
 Range: **2010 / 2016 & -5 / -7**  
 Title: **Electrical Sockets +FP**  
 Detail No: **DB-SD09-019**  
 Drawn: **GDT** Checked: **GDT** Scale: **1:5 / 1:20** Date: **Dec 17**

Rev: Description: Date:

**DAVID WILSON HOMES**